



**FLOWTECH  
PLAY**

A PLAYGROUND EQUIPMENT  
COMPANY

# Playground & Outdoor Gym Equipment Accessories



Scan the QR Code



#MakeInIndia #AtmaNirbharBharat

[www.flowtechplay.com](http://www.flowtechplay.com)

“

Creativity is thinking up  
new things.  
**Innovation is  
doing new things.**

# Squirrel Pipe Cap



Size : 258x105x305 mm

visit us | [www.flowtechplay.com](http://www.flowtechplay.com)

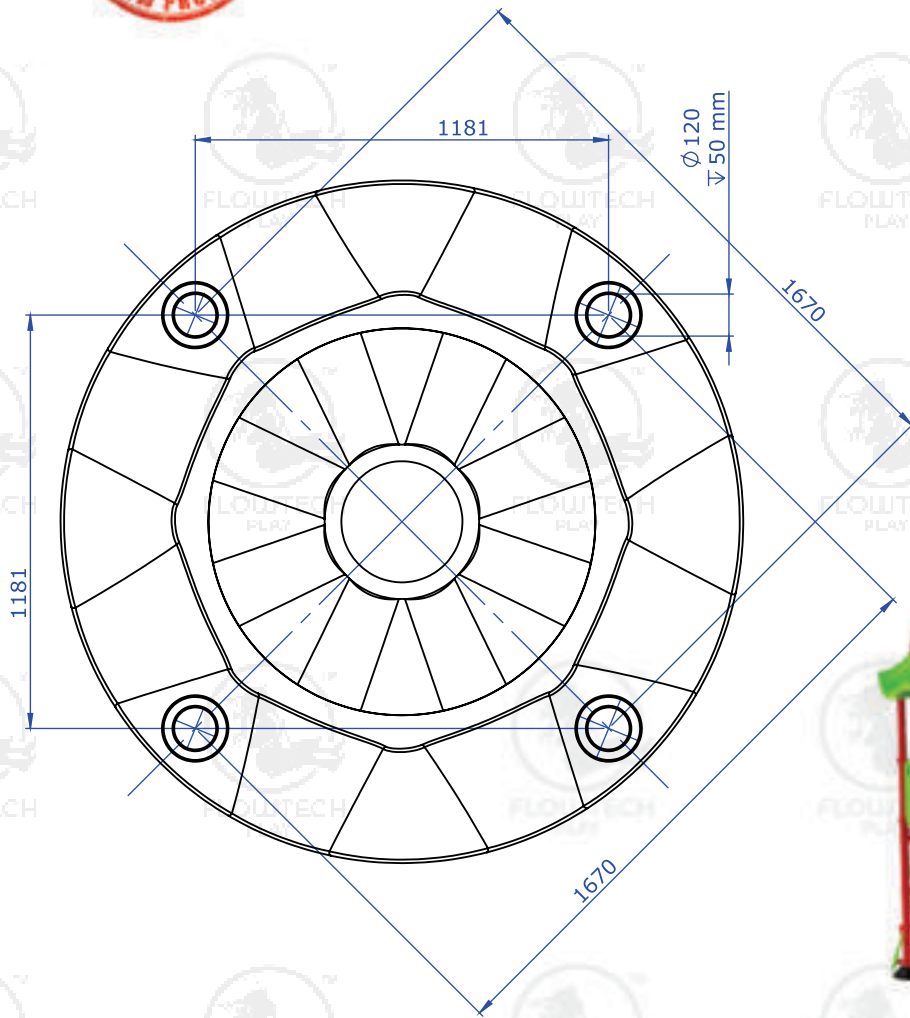
# Fish Rider



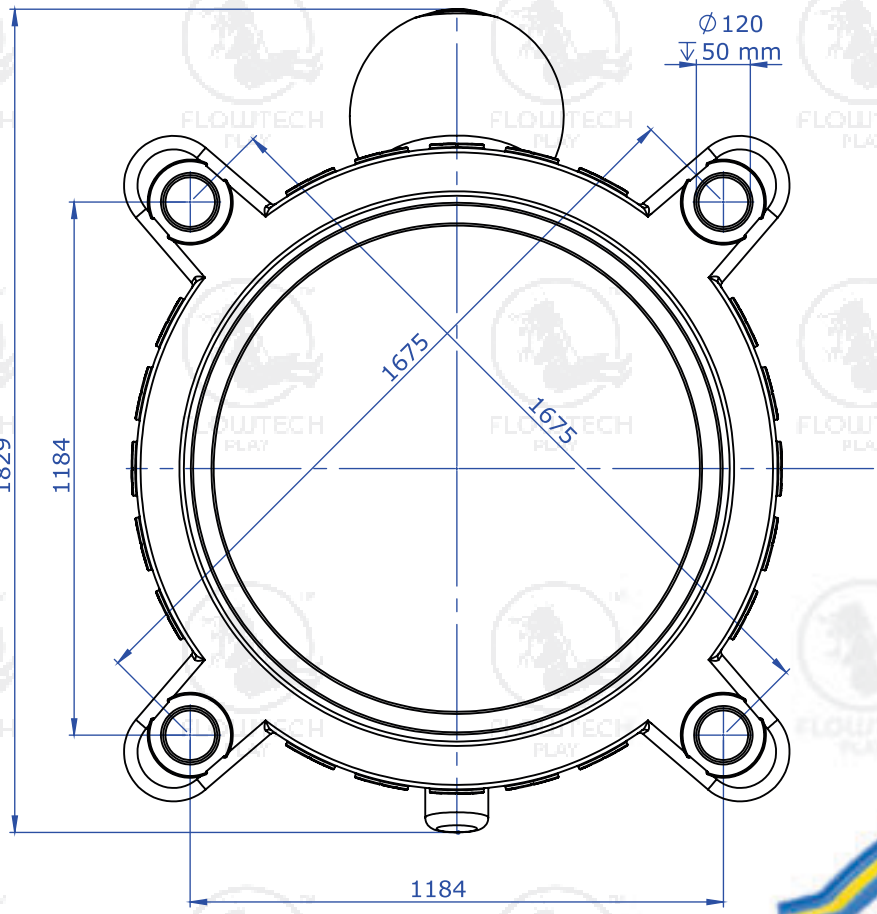
**Length: 27 Inch**  
**Width: 17 Inch**  
**Height: 34.5 Inch**

visit us | [www.flowtechplay.com](http://www.flowtechplay.com)

# Spider Canopy



# Turtle Canopy



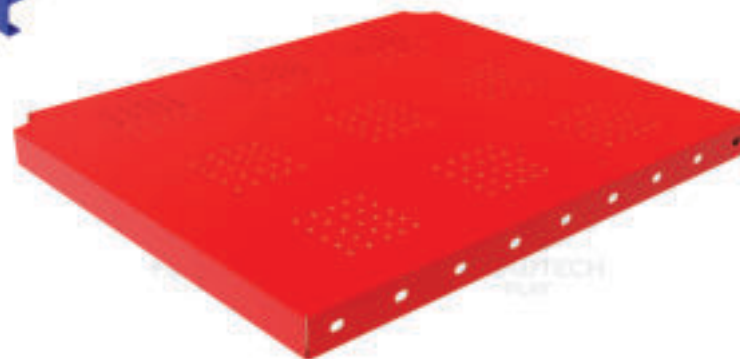
# Platform & Bridge (MPS)



1. MULTIPLAY PLATFORM (MS SHEET 2 MM)  
1130 MM X 1130 MM , 970 MM X 970 MM
2. MULTIPLAY BRIDGE (MS SHEET 2 MM)  
1000 MM X 1840 MM , 845 MM X 1840 MM

visit us | [www.flowtechplay.com](http://www.flowtechplay.com)

# Platform (Spiral & Slide)



**MPS ATTACHMENT  
SPIRAL PLATFORM  
(MS SHEET 2 MM)  
500 MM X 1000 M**

**SPIRAL PLATFORM  
(MS SHEET 2 MM)  
890 MM X 765 M**

**SINGLE SLIDE PLATFORM  
(MS SHEET 2 MM)  
450 MM X 550 MM**

visit us | [www.flowtechplay.com](http://www.flowtechplay.com)



# Climber Step



**Diameter: 11.6 Inch**  
**Pipe Hole: 6.5 Inch**

visit us | [www.flowtechplay.com](http://www.flowtechplay.com)

# Flower Canopy



**Length: 820 mm**  
**Width: 820 mm**  
**Pipe Hole: 600 mm**

visit us | [www.flowtechplay.com](http://www.flowtechplay.com)

# Color Belt



31 inch x 5.5 inch

visit us | [www.flowtechplay.com](http://www.flowtechplay.com)

# Walking Barrel



**Diameter : 12 Inches**  
**Length : 39 inches**

visit us | [www.flowtechplay.com](http://www.flowtechplay.com)

# SQ Canopy



**Length: 57 inch**  
**Width: 57 inch**  
**Height: 77 inch**

visit us | [www.flowtechplay.com](http://www.flowtechplay.com)

# Minion



Pipe Diameter : 100 mm  
L x W x H : 14 in x 14 in x 27 in

visit us | [www.flowtechplay.com](http://www.flowtechplay.com)

# Roto Slide / LLDP Slide



Size :- 10 ft  
Out size :- 1.8 ft  
Inner size :- 1.3 ft

visit us | [www.flowtechplay.com](http://www.flowtechplay.com)

# Roto Wave Slide



Size :- 10 ft  
Out size :- 1.8 ft  
Inner size :- 1.3 ft

visit us | [www.flowtechplay.com](http://www.flowtechplay.com)



# Snail Canopy

FLOWTECH  
PLAY

FLOWTECH  
PLAY



Size: 2' x 1' x 1'5"

visit us | [www.flowtechplay.com](http://www.flowtechplay.com)

# Horse Rider



Also available without spring

Size : 2'7" x 1'6" x 2'6"  
Spring : 20 mm wire

visit us | [www.flowtechplay.com](http://www.flowtechplay.com)

# Tiger Spring Rider

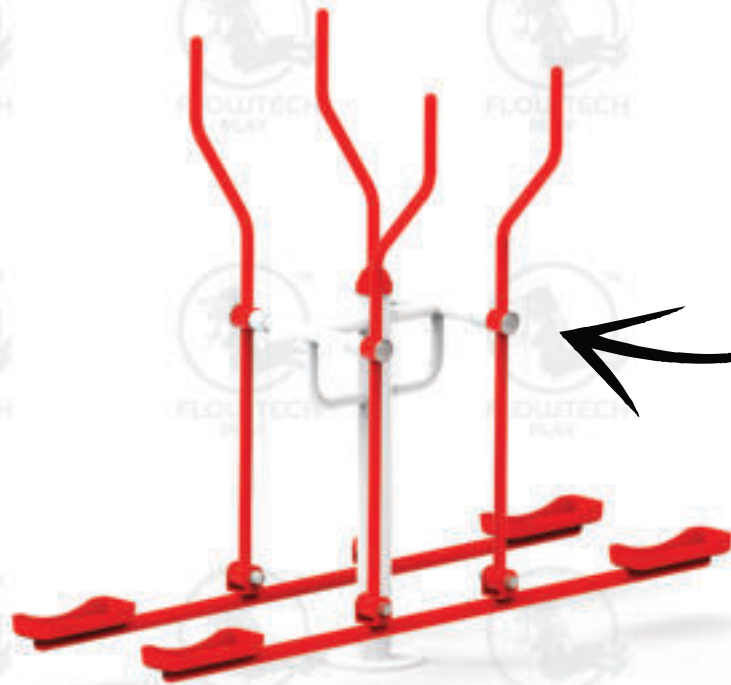


Also available without spring

Size : 2'5" X 1'3" X 1'9"  
Spring : 20 mm wire

visit us | [www.flowtechplay.com](http://www.flowtechplay.com)

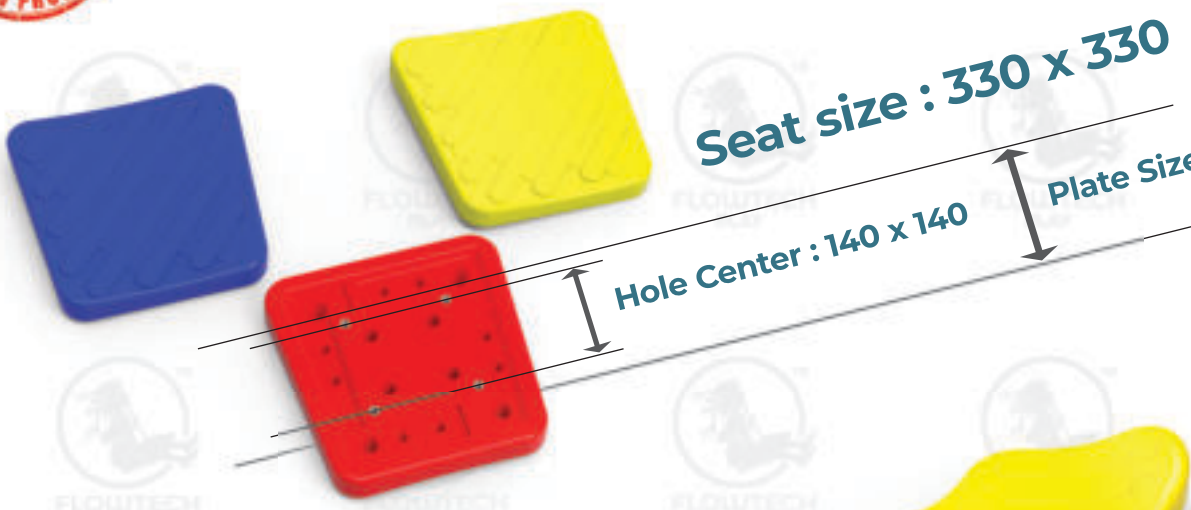
# Bearing Cap (SS 304)



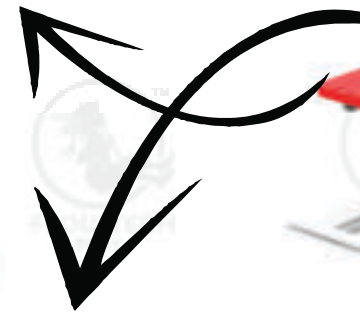
**Small Cap : 48 mm**  
**Big Cap : 62 mm**

visit us | [www.flowtechplay.com](http://www.flowtechplay.com)

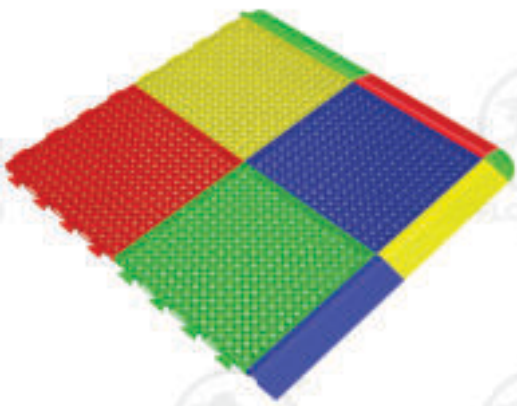
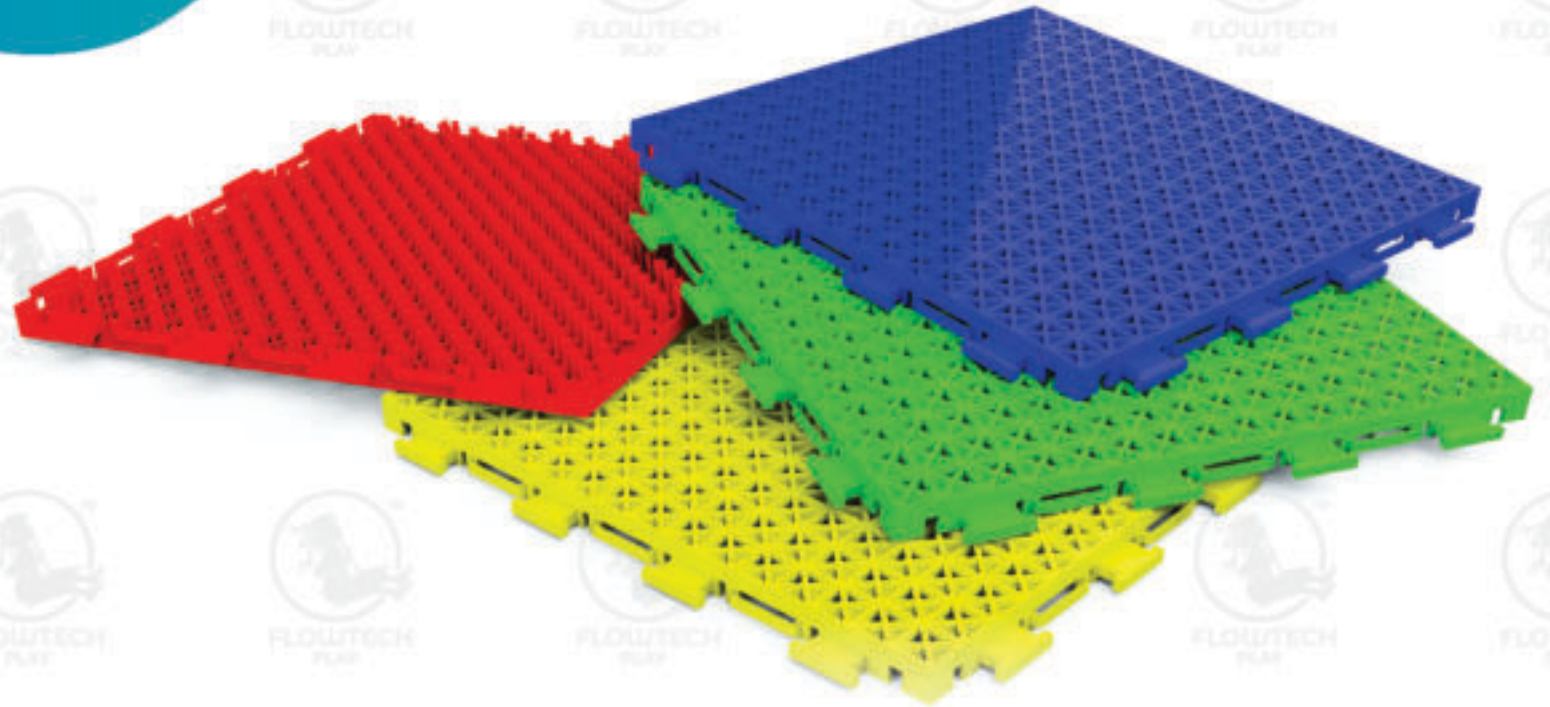
# Outdoor Gym Seat



Hole Center : 140 x 140  
Plate Size : 170 x 170  
Seat size : 300 x 400



# Multi Function PP Tiles



Edge Tiles

Size : 1 feet x 1 feet

visit us | [www.flowtechplay.com](http://www.flowtechplay.com)

# Butterfly Railing Panel



**Height: 40 inch**  
**Width: 35 inch**

visit us | [www.flowtechplay.com](http://www.flowtechplay.com)

# Butterfly Canopy



**Length: 31 Inch**  
**Width: 26 Inch**  
**Pipe Hole: 115 mm**

visit us | [www.flowtechplay.com](http://www.flowtechplay.com)



# Creative Railing Panel



You can use cross & zero,  
1 to 9 & other stickers



Pieces available without panel

Size:  
38 inch x 35 inch

visit us | [www.flowtechplay.com](http://www.flowtechplay.com)

# Cross Panel



Size:  
40 inch x 35 inch

visit us | [www.flowtechplay.com](http://www.flowtechplay.com)

# Single Slide Entry Gate



Size:  
40 inch x 35 inch

visit us | [www.flowtechplay.com](http://www.flowtechplay.com)

# Trampoline



# “Jumping

for Joy is good exercise.”

**Size:**

**54 inch / 6 Feet / 8 Feet  
10 Feet / 12 Feet / 14 Feet / 16 Feet**

visit us | [www.flowtechplay.com](http://www.flowtechplay.com)

# Rubber Stopper Bush



**Also available without bolt**



**Color : Black**

visit us | [www.flowtechplay.com](http://www.flowtechplay.com)

# Foundation Cap



Size : 60 OD | 76 OD | 90 OD | 114 OD Pipe  
Color : Black  
With SS Allen key nut bolt

visit us | [www.flowtechplay.com](http://www.flowtechplay.com)

# Swing Rubber Belt

**MOST LOVED  
PRODUCT**



**Length: 30 inch  
Width: 7.5 inch  
Thickness: 10 mm  
Handle : S.S.**

visit us | [www.flowtechplay.com](http://www.flowtechplay.com)

# Rubber Coated Chain



**S.S. 304**

**Length: 5 Feet  
Wire : 6 mm Galvanized  
"S" Hook in S.S. 304**

visit us | [www.flowtechplay.com](http://www.flowtechplay.com)



# Chain Extension



**Length: 1 Feet  
with welded bolt**

visit us | [www.flowtechplay.com](http://www.flowtechplay.com)

# “S” Hook



S.S. 202 & S.S.304

visit us | [www.flowtechplay.com](http://www.flowtechplay.com)

# Swing Hook



**Suitable for all pipes**

**Powder Coated  
Chrome Plated  
Thread : 1/2 inch**

visit us | [www.flowtechplay.com](http://www.flowtechplay.com)

# Swing Hook Plastic



**Colors Available**

Red | Yellow

**Only for 60mm OD Pipe**

visit us | [www.flowtechplay.com](http://www.flowtechplay.com)

# Plastic See Saw Seat or Cycle Seat



**Hole Center : 75 mm**

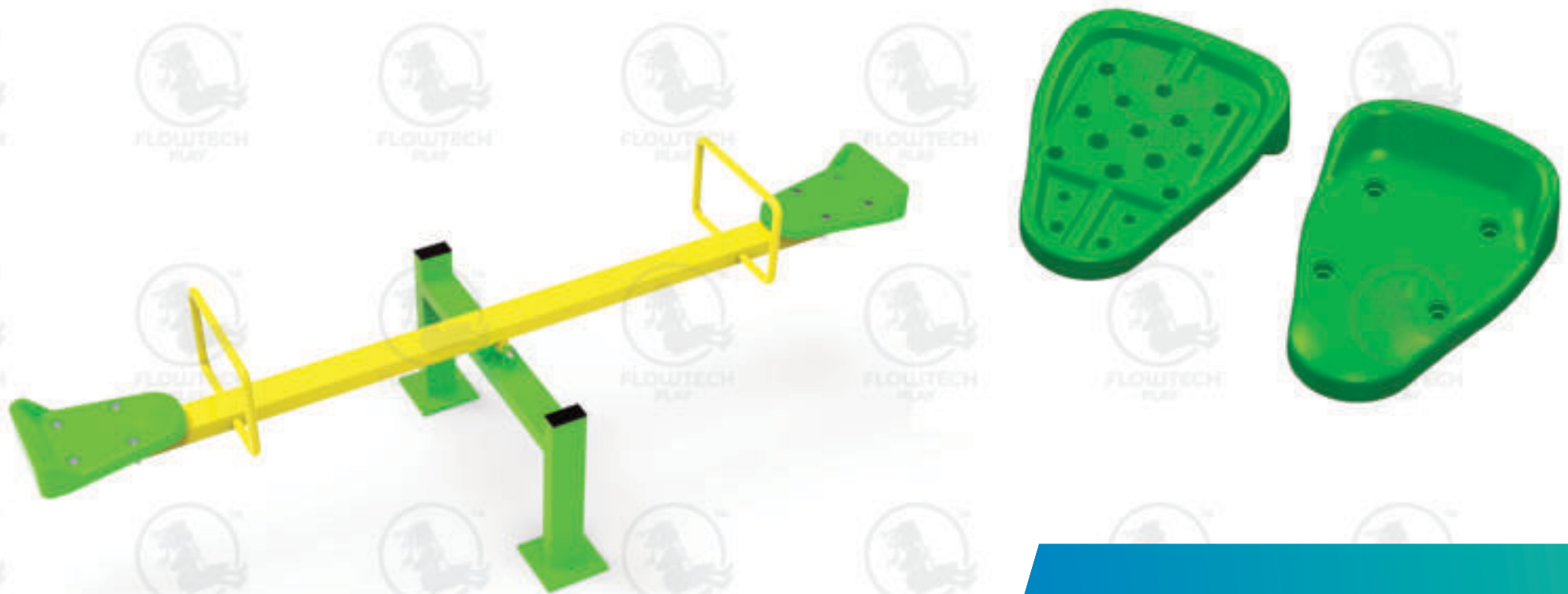


**Colors  
Available**

Red | Green  
Yellow

visit us | [www.flowtechplay.com](http://www.flowtechplay.com)

# Plastic See Saw Seat Economical



**Colors  
Available**

Red | Green  
Yellow

visit us | [www.flowtechplay.com](http://www.flowtechplay.com)

# Slide Roller



**Outer Diameter : 50 mm**  
**Inner Diameter : 20 mm**

**Colors Available** | Red | Green  
Blue | Yellow

**Length: 17 inch**

visit us | [www.flowtechplay.com](http://www.flowtechplay.com)

# Slide Roller - Front



**Colors Available**

Red | Green  
Blue | Yellow

**Length: 10 Feet**

visit us | [www.flowtechplay.com](http://www.flowtechplay.com)



# Slide Foot Step



**Galvanized Material**  
**Thickness: 1.5 mm**  
**Length: 500 mm**

visit us | [www.flowtechplay.com](http://www.flowtechplay.com)

# Aluminum Rope Connector



**Size: 45 X 30 mm**  
**Hole: 20 mm**

visit us | [www.flowtechplay.com](http://www.flowtechplay.com)

# Rope Connector Plastic



Hole: 20 mm

visit us | [www.flowtechplay.com](http://www.flowtechplay.com)

# Rock Climbing Holds / Climbing Stone



**Colors  
Available**

Red | Green  
Blue | Yellow

visit us | [www.flowtechplay.com](http://www.flowtechplay.com)

# Special Nylon Rope



**Size : 18 mm**  
**Length : 75 Meter Roll**

visit us | [www.flowtechplay.com](http://www.flowtechplay.com)

# Looping Handle



Colors  
Available

Red | Blue

\*Aluminum with rubber coating handle

visit us | [www.flowtechplay.com](http://www.flowtechplay.com)

# Multi Play Clamps



**Colors Available | Red**  
**Nut & Bolt : S.S.**  
**Pipe: 2"(60 OD) or 3"(89 OD)**  
**4"(114 OD)**

**1 Clamp with 1 Connector**

visit us | [www.flowtechplay.com](http://www.flowtechplay.com)

# Multi Play Clamp Connector



**1 Connector**



**Colors Available | Red**  
**Pipe: 2"(60 OD) or 3"(89 OD)**  
**4"(114 OD)**

visit us | [www.flowtechplay.com](http://www.flowtechplay.com)



# Plastic Railing Panel Small



**Hole Center : 620 mm**

**Size: 26 inch x 2.5 inch**

visit us | [www.flowtechplay.com](http://www.flowtechplay.com)

# Plastic Railing Panel Medium

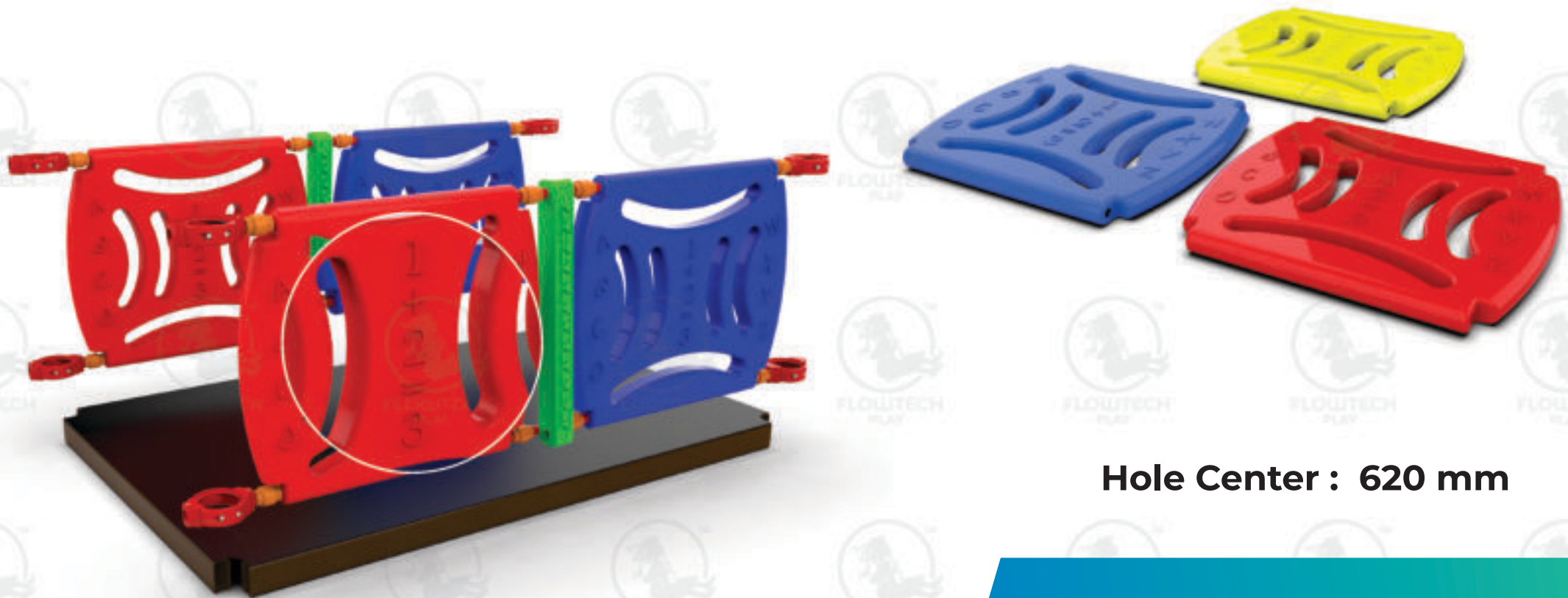


**Hole Center : 620 mm**

**Size: 26 inch x 10.5 inch**

visit us | [www.flowtechplay.com](http://www.flowtechplay.com)

# Plastic Railing Panel Big



**Hole Center : 620 mm**

**Size: 26 inch x 30 inch**

visit us | [www.flowtechplay.com](http://www.flowtechplay.com)

# Railing Connector Bush



**Length: 60 mm**  
**OD: 45 mm**  
**ID: 28 mm**

visit us | [www.flowtechplay.com](http://www.flowtechplay.com)

# Plastic Rope



**Size: 16 mm / 18 mm / 20 mm**  
**Approx. weight for bundle :**  
**25 to 40 kg (220 mtr.)**

visit us | [www.flowtechplay.com](http://www.flowtechplay.com)

# Springs



**As per Requirements  
Spring Wire : 16 mm & 20 mm  
Height : 300 mm**

visit us | [www.flowtechplay.com](http://www.flowtechplay.com)

# Outdoor Gym Bearing Bush & Pin



OD:52mm & ID:25mm (Bearing 6205)  
OD:42mm & ID:20mm (Bearing 6004)

*Bearing is not included in bush & pin.*

visit us | [www.flowtechplay.com](http://www.flowtechplay.com)

# Housing



Product / Size	Hub size	Shaft Size	Bearing Size
Cycle Housing	120 mm	216 mm	6308
Merry Go Round - Small	6 inch	11 inch	6308
Merry Go Round - Big	9 inch	13 inch	6308

*Bearing is included in housing.*

**Available for Outdoor  
Gym Cycle &  
Merry Go Round**

visit us | [www.flowtechplay.com](http://www.flowtechplay.com)



# Outdoor Gym Seat

HOT SELLING  
PRODUCT



Length: 330mm  
Width: 330mm  
Thickness: 30mm  
Hole Center: 195mm x 100mm

visit us | [www.flowtechplay.com](http://www.flowtechplay.com)

# Outdoor Gym Twister Plate



**Diameter: 13 inch**  
**Thickness: 2 inch**  
**Bolt Size: 3/8 inch**

visit us | [www.flowtechplay.com](http://www.flowtechplay.com)

# Plastic Foot Rest Single



**Length: 340mm**  
**Width: 134mm**  
**Height: 46mm**  
**Hole Center: 290mm x 90mm**

visit us | [www.flowtechplay.com](http://www.flowtechplay.com)

# Aluminum Foot Rest Double



**Length: 310mm**  
**Width: 260mm**  
**Aluminum Casting**

visit us | [www.flowtechplay.com](http://www.flowtechplay.com)

# Pipe End Cap



2 Inch / 60 OD, 2.5 Inch / 76 OD  
3 Inch / 89 OD, 4 Inch / 114 OD

visit us | [www.flowtechplay.com](http://www.flowtechplay.com)

# Wheel Gripper



Colors Available

Black

visit us | [www.flowtechplay.com](http://www.flowtechplay.com)

# Bolt Cap



Suitable for 10 mm & 12 mm

visit us | [www.flowtechplay.com](http://www.flowtechplay.com)

# Bearing Cap



**Color: Black**  
**Size: 48 OD & 62 OD**

visit us | [www.flowtechplay.com](http://www.flowtechplay.com)



# C Clamp & Pin



C Clamp Pin : 20 mm / 25 mm  
length : 87 mm

Inner Distance : 64 mm  
Hole : 20 mm & 25 mm

visit us | [www.flowtechplay.com](http://www.flowtechplay.com)

# MS Flange



1

**MS Flange (1.5 inch)**  
133 mm OD x 50 mm ID  
5 mm Thickness  
(With 4 holes)

3

**MS Flange (3 inch)**  
184 mm OD x 90 mm ID  
8 mm Thickness  
(With 4 holes)

2

**MS Flange (2 inch)**  
152 mm OD x 60 mm ID  
6 mm Thickness  
(With 4 holes)

4

**MS Flange (4 inch)**  
216 mm OD x 114 mm ID  
8 mm Thickness  
(With 4 holes)

# Rubber Grip



15 NB or OD 21 mm  
20 NB or OD 27 mm  
25 NB or OD 33 mm  
32 NB or OD 42 mm

visit us | [www.flowtechplay.com](http://www.flowtechplay.com)

# Plastic Grip



**15 NB or OD 21 mm  
Hard Plastic**

visit us | [www.flowtechplay.com](http://www.flowtechplay.com)

# FRP Strip



**Length: 4 ft, 4.5 ft, 5 ft**  
**Width: 85mm**  
**Height: 30mm**

visit us | [www.flowtechplay.com](http://www.flowtechplay.com)

# FRP Strip End Cap



**Color : Black**

visit us | [www.flowtechplay.com](http://www.flowtechplay.com)

# Allen Key Bolt Set



**Size:**  
**3/8 inch x 1.25 length**  
**including 2 washer & 1 nut**

visit us | [www.flowtechplay.com](http://www.flowtechplay.com)



IF YOU WANT TO MAKE  
YOUR BRAND NAME ON PRODUCT,  
WE ALSO MAKE IT FOR YOU





**FLOWTECH  
PLAY**

A PLAYGROUND EQUIPMENT  
COMPANY



Scan the QR Code



[www.flowtechplay.com](http://www.flowtechplay.com)



#MakeInIndia #AtmaNirbharBharat

☎ +91 90335 73177, 94290 01073, 99985 11610

📍 Plot No. 417-418, Shyam Industrial Park,  
Kujad-Bhavada Road, Bakrol-Bujrang,  
Ahmedabad-382430

✉ General Inquiries / Feedback - [info@flowtechplay.com](mailto:info@flowtechplay.com)  
Sales Enquiry / Questions - [sales@flowtechplay.com](mailto:sales@flowtechplay.com)  
Production / Factory Queries - [factory@flowtechplay.com](mailto:factory@flowtechplay.com)